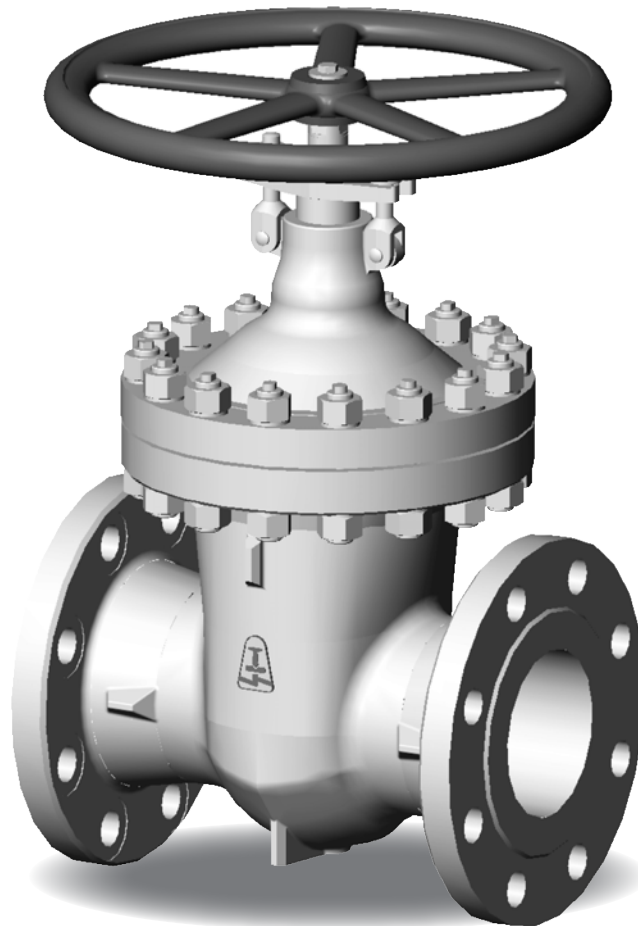


GATE VALVE S25

PN 10–25; DN 40–500; T_{MAX}: 200°C

GATE VALVE S25



APPLICATION

- water, steam, gas, other working substances in the energy sector

CONNECTION

- flanged, weld ends, combination

OPERATION

- handwheel

DESCRIPTION

- shut-off gate valve
- rotating non-rising stem
- flexible wedge
- complies with the requirements of the directive 2014/68/EU, and standard EN 1984
- testing is carried out according to standard EN 12266-1; part 2

BASIC DESIGN OPTIONS

- drain plug
- by-pass
- PTFE gland packing and the packing in a separation plane
- PTFE packing in the seat
- gland packing with leakage suction

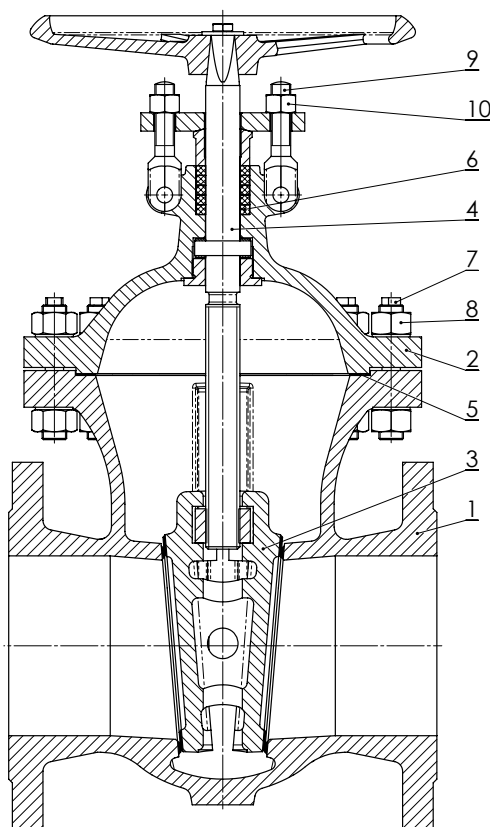
PRESSURE-TEMPERATURE-RATINGS

Material	PN	Admissible operating pressure PS [bar] at operating temperature TS [°C]								
		-105	-60	-50	-30	-10	50	100	150	200
1.0619 (GP240GH)	10	-	-	-	-	10	10	9,3	8,7	7,8
	16	-	-	-	-	16	16	14,9	13,9	12,4
	25	-	-	-	-	25	25	23,3	21,7	19,4
1.4408 (GX5CrNiMo19-11-2)	10	-	-	10	10	10	10	7,8	7,0	6,4
	16	-	-	16	16	16	16	14,9	13,5	12,4
	25	-	-	25	25	25	25	23,3	21,1	19,4

Other materials on request

USED MATERIALS

Pos.	Part	Material	
1	Body	1.0619 (GP240GH)	1.4408 (GX5CrNiMo19-11-2)
	Hard facing of body sealing surface	13Cr	-
2	Bonnet	1.0619 (GP240GH)	1.4408 (GX5CrNiMo19-11-2)
3	Wedge	1.0619 (GP240GH)	1.4408 (GX5CrNiMo19-11-2)
	Hard facing of wedge sealing surface	13Cr	X10CrNiMn18-8-6
4	Stem	1.4021 (X20Cr13)	1.4571 (X6CrNiMoTi17-12-2)
5	Gasket	Graphite sealing RGS-3 (PN 16-40) / Camprofile sealing with expanded graphite (PN 63-100)	
6	Gland packing	Graphite	
7	Bolt	25CrMo4	A2-70
8	Nut	C35E+QT	A2-70
9	Bolt	25CrMo4	A2-70
10	Nut	C35E+QT	A2-70



VALVE DIMENSIONS

1. Flanged

Face-to-face dimensions: as required by the customer

Flanges: EN 1092-1

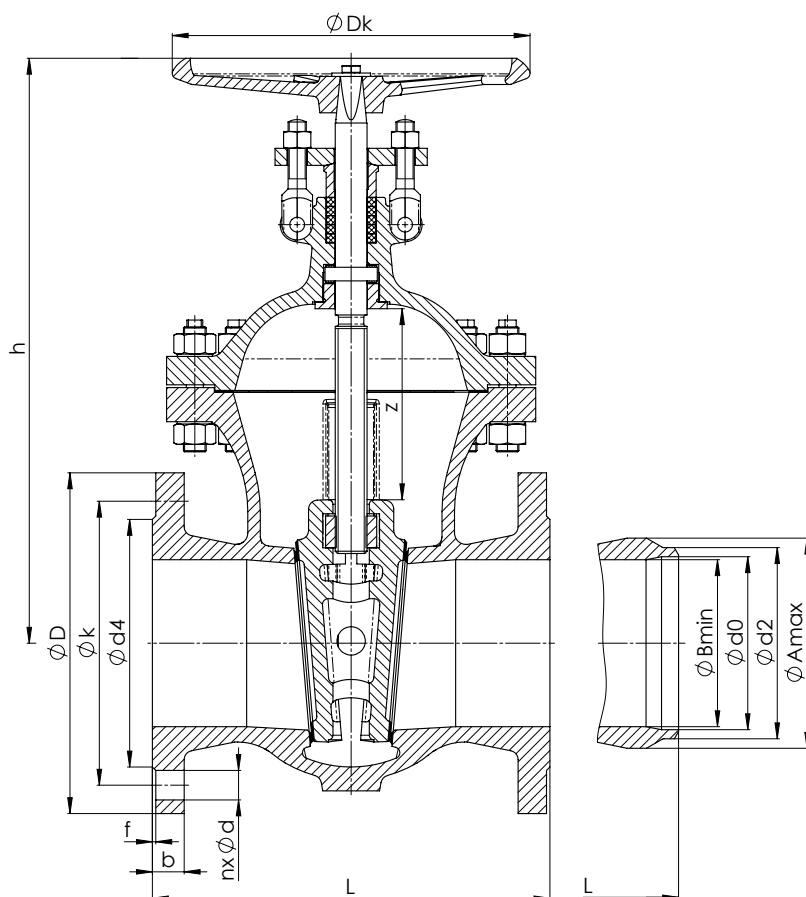
2. Weld ends

Face-to-face dimensions: as per table

Weld ends: as per table

Groove form: DIN 2559 – sheet 1 – form 22

Other adjustments on your request

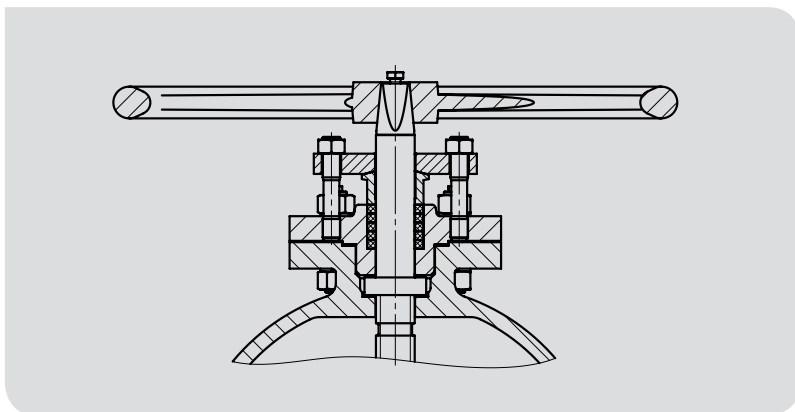


Nominal pressure	Nominal size	Face-to-face	Stroke	Handwheel	Centre-to-top-height	Flanged							Weld ends					
						PN	DN	L [mm]	z [mm]	Dk [mm]	h [mm]	n [mm]	d [mm]	k [mm]	D [mm]	b [mm]	d4 × f [mm]	m [kg]
16	40	240	70	200	300	4	18	110	150	18	88 × 3	23	49	43	68	37	21	48,3 × 2,6
	50	250	70	200	300	4	18	125	165	18	102 × 3	23	61	54	80	49	21	60,3 × 3,2
	65	270	100	250	330	8	18	145	185	18	122 × 3	35	77	69	89	65	32	76,1 × 3,6
	80	280	100	250	360	8	18	160	200	20	138 × 3	38	90	81	115	80	34	88,9 × 4,0
	100	300	125	315	420	8	18	180	220	20	158 × 3	51	115	104	130	100	44	114,3 × 5,0
	125	325	150	315	470	8	18	210	250	22	188 × 3	74	141	130,5	161	122	65	139,7 × 4,5
	150	350	175	315	500	8	22	240	285	22	212 × 3	94	170	156,5	192	147	83	168,3 × 5,6
	200	400	235	400	610	12	22	295	340	24	268 × 3	155	222	204,5	246	197	138	219,1 × 7,1
	250	450	285	500	720	12	26	355	405	26	320 × 3	237	276	256,5	298	250	213	273 × 8,0
	300	500	340	500	785	12	26	410	460	28	378 × 4	322	325	308,5	352	300	291	323,9 × 8,0
	350	550	380	630	885	16	26	470	520	30	438 × 4	439	359	336,5	408	347	391	355,6 × 8,8
	400	600	430	630	985	16	30	525	580	32	490 × 4	642	411	383	460	395	575	406,4 × 11,0
	450	650	520	720	1150	20	30	585	640	46	550 × 4	963	461	430,5	514	450	888	457 × 12,5
	500	700	600	800	1300	20	33	650	715	48	610 × 4	1058	512	478	558	500	961	508 × 14,2
25	40	240	70	200	300	4	18	110	150	18	88 × 3	23	49	43	68	37	21	48,3 × 2,6
	50	250	70	200	300	4	18	125	165	20	102 × 3	23	61	54	80	49	21	60,3 × 3,2
	65	270	100	250	360	8	18	145	185	22	122 × 3	35	77	69	89	65	32	76,1 × 3,6
	80	280	100	250	420	8	18	160	200	24	138 × 3	38	90	81	115	80	34	88,9 × 4,0
	100	300	125	315	470	8	22	190	235	24	162 × 3	51	115	104	130	100	44	114,3 × 5,0
	125	325	150	315	500	8	26	220	270	26	188 × 3	74	141	130,5	161	122	65	139,7 × 4,5
	150	350	175	315	610	8	26	250	300	28	218 × 3	94	170	156,5	192	147	83	168,3 × 5,6
	200	400	235	400	720	12	26	310	360	30	278 × 3	155	222	204,5	246	197	138	219,1 × 7,1
	250	450	285	500	785	12	30	370	425	32	335 × 3	237	276	256,5	298	250	213	273 × 8,0
	300	500	340	500	885	16	30	430	485	34	395 × 3	322	325	308,5	352	300	291	323,9 × 8,0
	350	550	380	630	985	16	33	490	555	38	450 × 4	439	359	336,5	408	347	391	355,6 × 8,8
	400	600	430	630	1200	16	36	550	620	40	505 × 4	642	411	383	460	395	575	406,4 × 11,0
	450	650	520	720	1150	20	36	600	670	46	555 × 4	963	461	430,5	514	450	888	457 × 12,5
	500	700	600	800	1300	20	36	660	730	48	615 × 4	1058	512	478	558	500	961	508 × 14,2

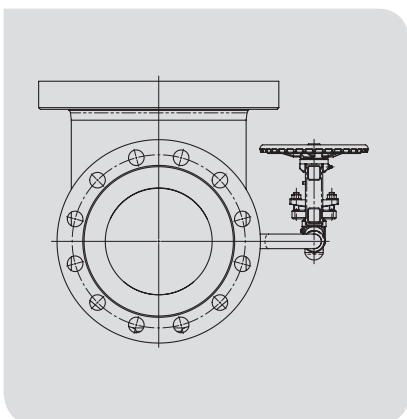
Dimensions for PN 10 on request

DESIGN VARIANTS

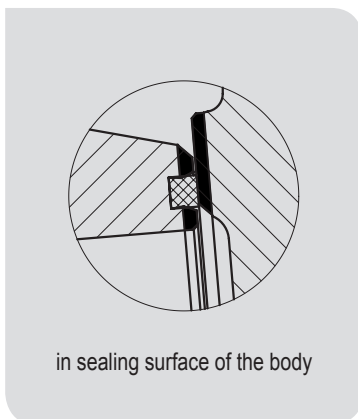
DESIGN OF PLUG



BY - PASS

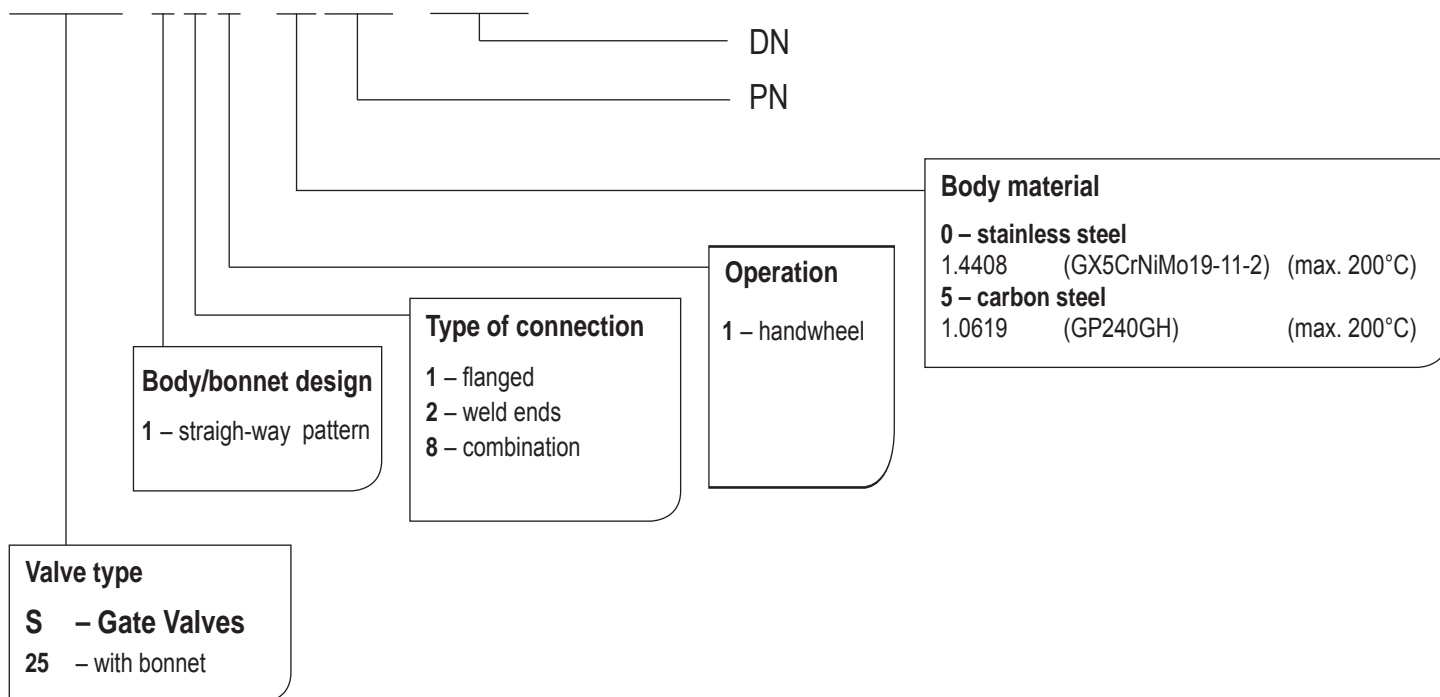


PTFE RING



VALVE DESCRIPTION CODE

S25 111-016-150



VALVE INSTALLATION

The recommended valve position is with the stem and the control elements perpendicular upwards or with the stem tilted max. about 90 degrees to the horizontal plane.

Assembly with hanging stem is not permitted.

It is necessary to consider the following points during assembly and operation:

- operating conditions must comply with operating parameters of the valve
- proper function of the valve is affected by the presence of impurities in the pipeline and flowing medium, therefore it is necessary keep working environment a pipeline clean, for example with using filters
- medium used must comply with the corrosion resistance of the valve material
- use of mechanically damaged valves during the operation is prohibited

The service life of valves significantly extends regular maintenance and minor repairs carried out by trained personnel.